
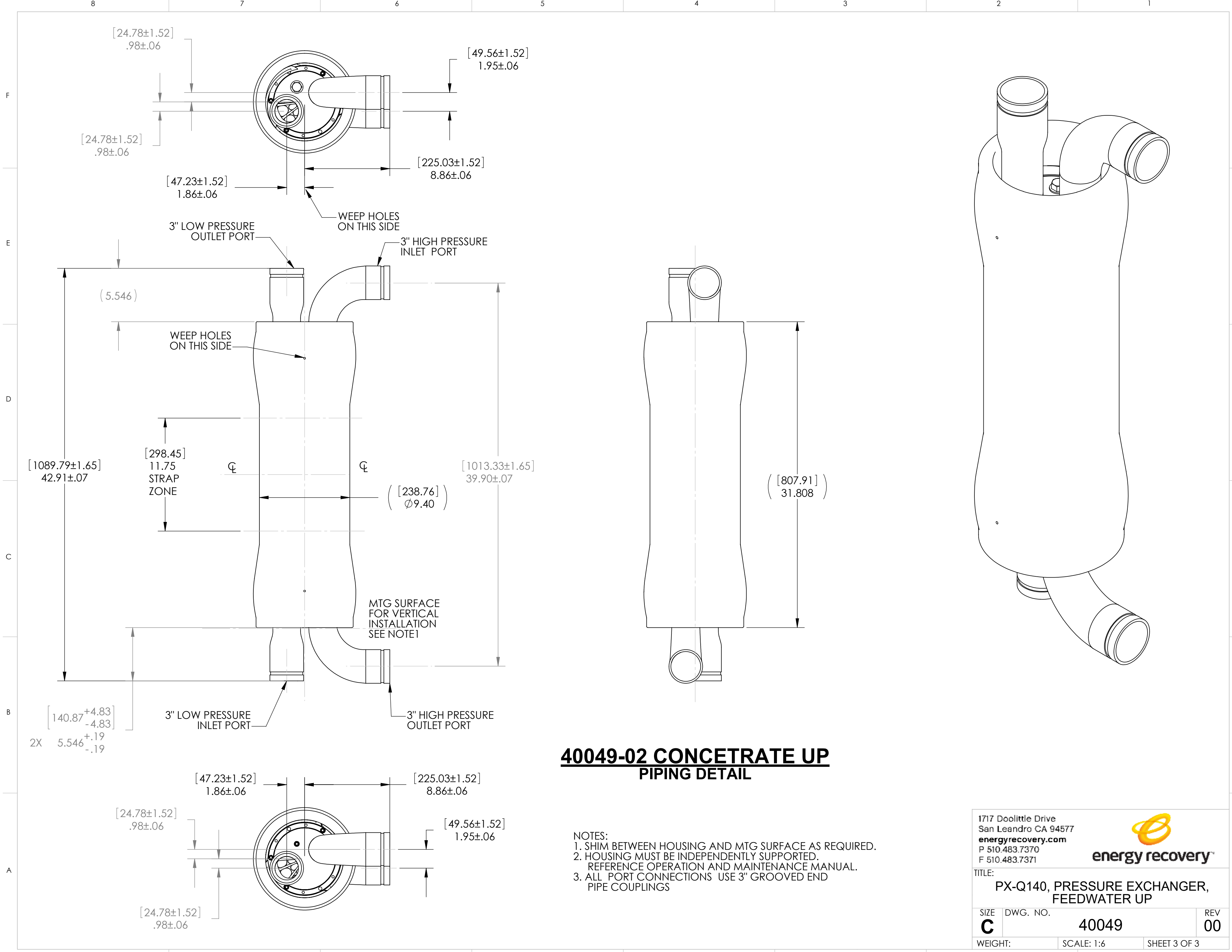


**40049-01 FEEDWATER UP
PIPING DETAIL**


- NOTES:
1. SHIM BETWEEN HOUSING AND MTG SURFACE AS REQUIRED.
 2. HOUSING MUST BE INDEPENDENTLY SUPPORTED. REFERENCE OPERATION AND MAINTENANCE MANUAL.
 3. ALL PORT CONNECTIONS USE 3" GROOVED END PIPE COUPLINGS

1717 Doolittle Drive San Leandro CA 94577 energyrecovery.com P 510.483.7370 F 510.483.7371		
TITLE: PX-Q140, PRESSURE EXCHANGER, FEEDWATER UP		
SIZE C	DWG. NO. 40049	REV 00
WEIGHT:	SCALE: 1:6	SHEET 2 OF 3



**40049-02 CONCENTRATE UP
PIPING DETAIL**

- NOTES:
 1. SHIM BETWEEN HOUSING AND MTG SURFACE AS REQUIRED.
 2. HOUSING MUST BE INDEPENDENTLY SUPPORTED. REFERENCE OPERATION AND MAINTENANCE MANUAL.
 3. ALL PORT CONNECTIONS USE 3" GROOVED END PIPE COUPLINGS

1717 Doolittle Drive San Leandro CA 94577 energyrecovery.com P 510.483.7370 F 510.483.7371		
TITLE: PX-Q140, PRESSURE EXCHANGER, FEEDWATER UP		
SIZE C	DWG. NO. 40049	REV 00
WEIGHT:	SCALE: 1:6	SHEET 3 OF 3