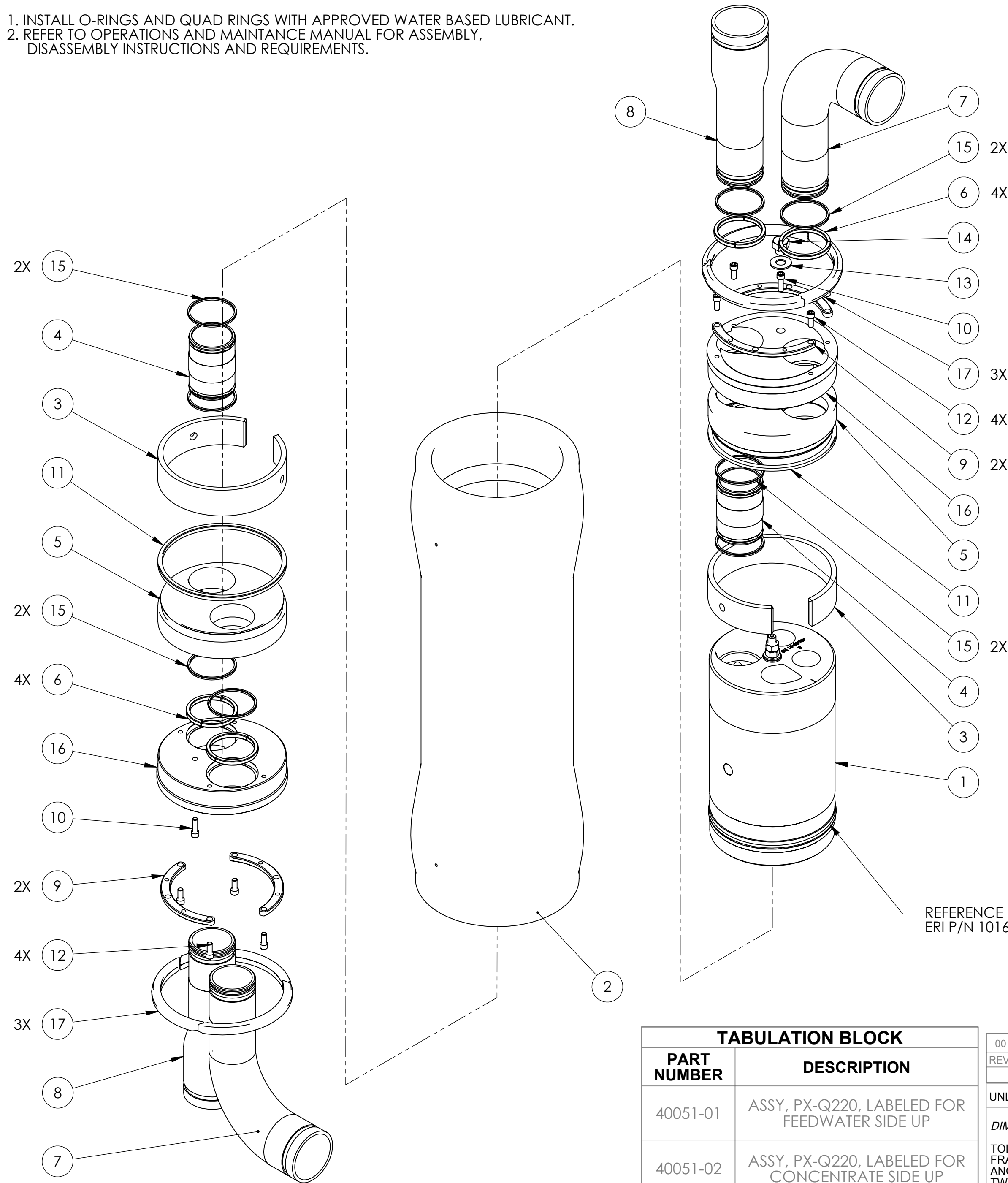


NOTES: UNLESS OTHERWISE SPECIFIED

1. INSTALL O-RINGS AND QUAD RINGS WITH APPROVED WATER BASED LUBRICANT.
2. REFER TO OPERATIONS AND MAINTANCE MANUAL FOR ASSEMBLY, DISASSEMBLY INSTRUCTIONS AND REQUIREMENTS.




BILL OF MATERIALS				
ITEM NO.	QTY.	PART NO.	DESCRIPTION	MATERIAL
1	1	43456-01	CARTRIDGE, PX-Q220, CERAMIC	---
2	1	43007-01	HOUSING, 65 SERIES, GRP	FIBERGLASS
3	2	43012-01	RING, THRUST, 65 SERIES	PVC
4	2	43019-01	NIPPLE, LOW PRESSURE, 65 SERIES, TITANIUM	AL6XN*
5	2	43010-01	PLATE, SEALING	FIBERGLASS
6	8	43031-01	RING, LOCK, PORT, 65 SERIES	CN3MN
7	2	43042-01	PORT, 90 DEG, 3 X 2.5, 65 SERIES, IC, AL6XN	CN3MN
8	2	43043-01	PORT, STRAIGHT, 3 X 2.5, 65 SERIES, IC, AL6XN	CN3MN
9	4	43056-01	RING, SECURING, 65 SERIES, GRP	FIBERGLASS
10	2	10078-01	SCREW, SOCKET-HEAD, 5/16"-18, X 1.0", 316	316 SS
11	2	10065-02	QUAD RING, EPDM, 442, NSF	EPDM
12	8	10077-01	SCREW, SOCKET-HEAD, 5/16"-18, X .75", 316	316 SS
13	1	10235-01	WASHER, FLAT, SEALING, 5/8" ID, EPDM	EPDM
14	1	10234-01	SCREW, HEX-HEAD, 5/8"-11, X .5", NYLON	NYLON
15	8	10404-01	QUAD RING, EPDM, 231, NSF	EPDM
16	2	43009-01	PLATE, BEARING, 65 SERIES, ALU	ALUMINUM
17	6	43069-01	SEGMENT, LOCK RING 8"	CF8M

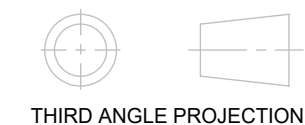
*OR EQUIVALENT

TABULATION BLOCK	
PART NUMBER	DESCRIPTION
40051-01	ASSY, PX-Q220, LABELED FOR FEEDWATER SIDE UP
40051-02	ASSY, PX-Q220, LABELED FOR CONCENTRATE SIDE UP

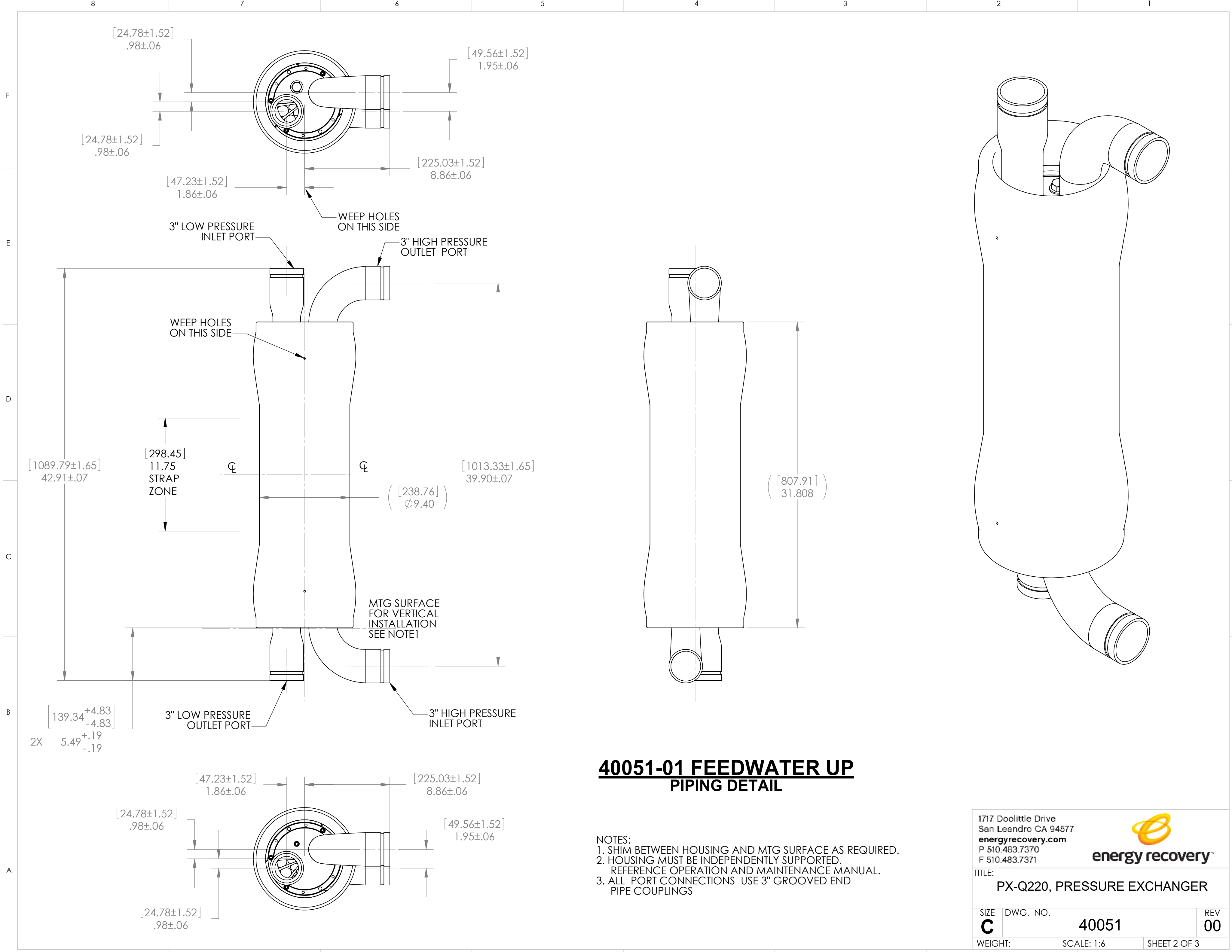
PROPRIETARY
 THE INFORMATION CONTAINED IN THIS DRAWING IS THE SOLE PROPERTY OF ENERGY RECOVERY INC. ANY REPRODUCTION IN PART OR AS A WHOLE WITHOUT THE WRITTEN PERMISSION OF ENERGY RECOVERY INC. IS PROHIBITED.

00	-	INITIAL RELEASE	AKP	1/11/19		
REV.	ECN NO.	DESCRIPTION	BY	DATE		
UNLESS OTHERWISE SPECIFIED:						
DIMENSIONS ARE IN INCHES		Production 1717 Doolittle Drive San Leandro CA 94577 energyrecovery.com P 510.483.7370 F 510.483.7371	 energy recovery™			
TOLERANCES:					TITLE:	
FRACTIONAL: ± 1/32" ANGULAR: MACH ± .5° BEND ± 1° TWO PLACE DECIMAL: ± .01" THREE PLACE DECIMAL: ± .005" FOUR PLACE DECIMAL: ± .0002"					PX-Q220, PRESSURE EXCHANGER	
DIMENSIONING AND TOLERANCING PER ANSI Y14.5M (LATEST)		DRAWING STATUS: DRAWN: AKP 1/15/19 CHECKED: KYK 1/15/19 ENG APPR.: AKP 1/15/19	SIZE: C DWG. NO.: 40051 WEIGHT:	REV: 00 SCALE: 1:5 SHEET 1 OF 3		

© ENERGY RECOVERY INC




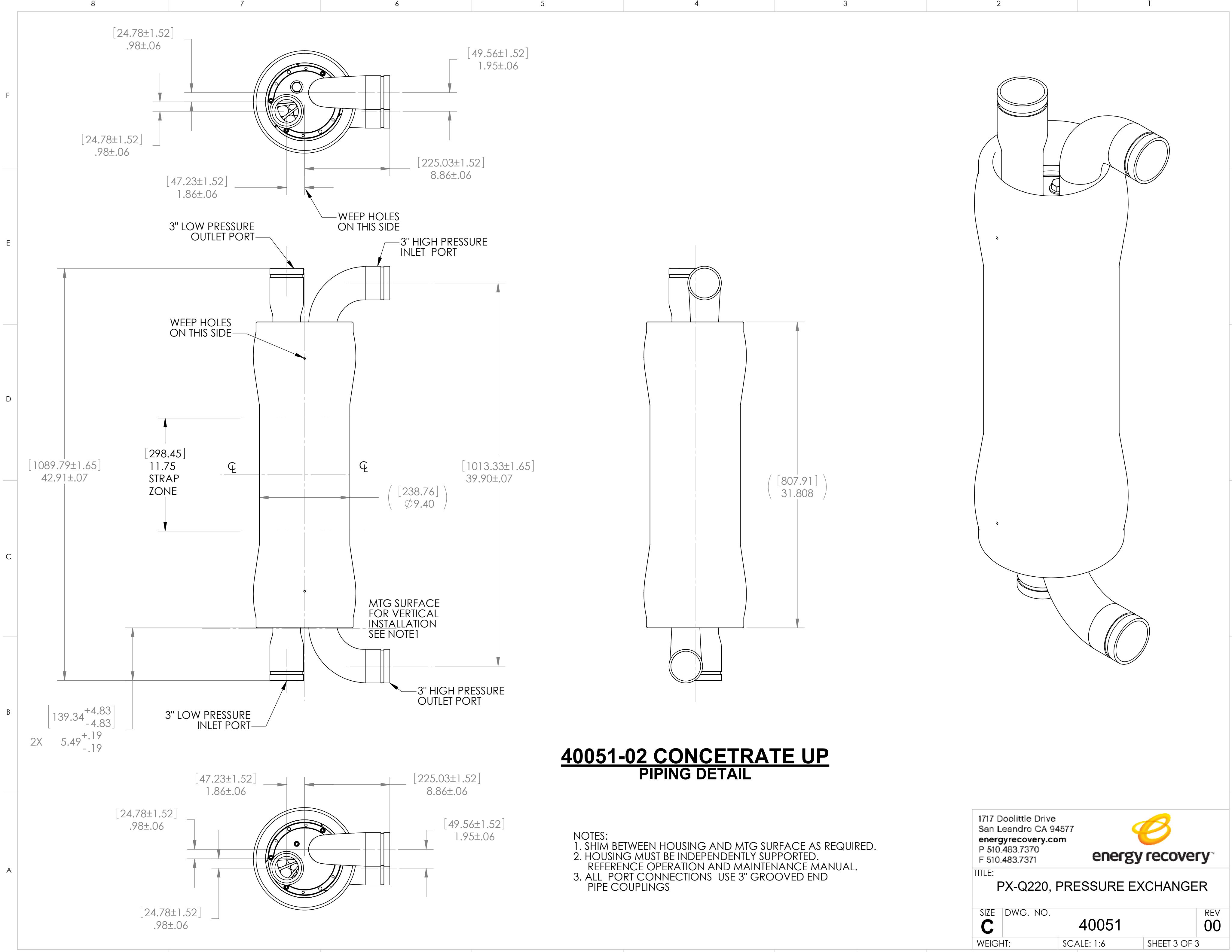
THIRD ANGLE PROJECTION



40051-01 FEEDWATER UP PIPING DETAIL

- NOTES:
 1. SHIM BETWEEN HOUSING AND MTG SURFACE AS REQUIRED.
 2. HOUSING MUST BE INDEPENDENTLY SUPPORTED. REFERENCE OPERATION AND MAINTENANCE MANUAL.
 3. ALL PORT CONNECTIONS USE 3" GROOVED END PIPE COUPLINGS

1717 Doolittle Drive San Leandro CA 94577 energyrecovery.com P 510.483.7370 F 510.483.7371		
TITLE: PX-Q220, PRESSURE EXCHANGER		
SIZE C	DWG. NO. 40051	REV 00
WEIGHT:	SCALE: 1:6	SHEET 2 OF 3



40051-02 CONCENTRATE UP PIPING DETAIL

- NOTES:
1. SHIM BETWEEN HOUSING AND MTG SURFACE AS REQUIRED.
 2. HOUSING MUST BE INDEPENDENTLY SUPPORTED. REFERENCE OPERATION AND MAINTENANCE MANUAL.
 3. ALL PORT CONNECTIONS USE 3" GROOVED END PIPE COUPLINGS

1717 Doolittle Drive
 San Leandro CA 94577
energyrecovery.com
 P 510.483.7370
 F 510.483.7371



TITLE:
PX-Q220, PRESSURE EXCHANGER

SIZE C	DWG. NO. 40051	REV 00
WEIGHT:	SCALE: 1:6	SHEET 3 OF 3