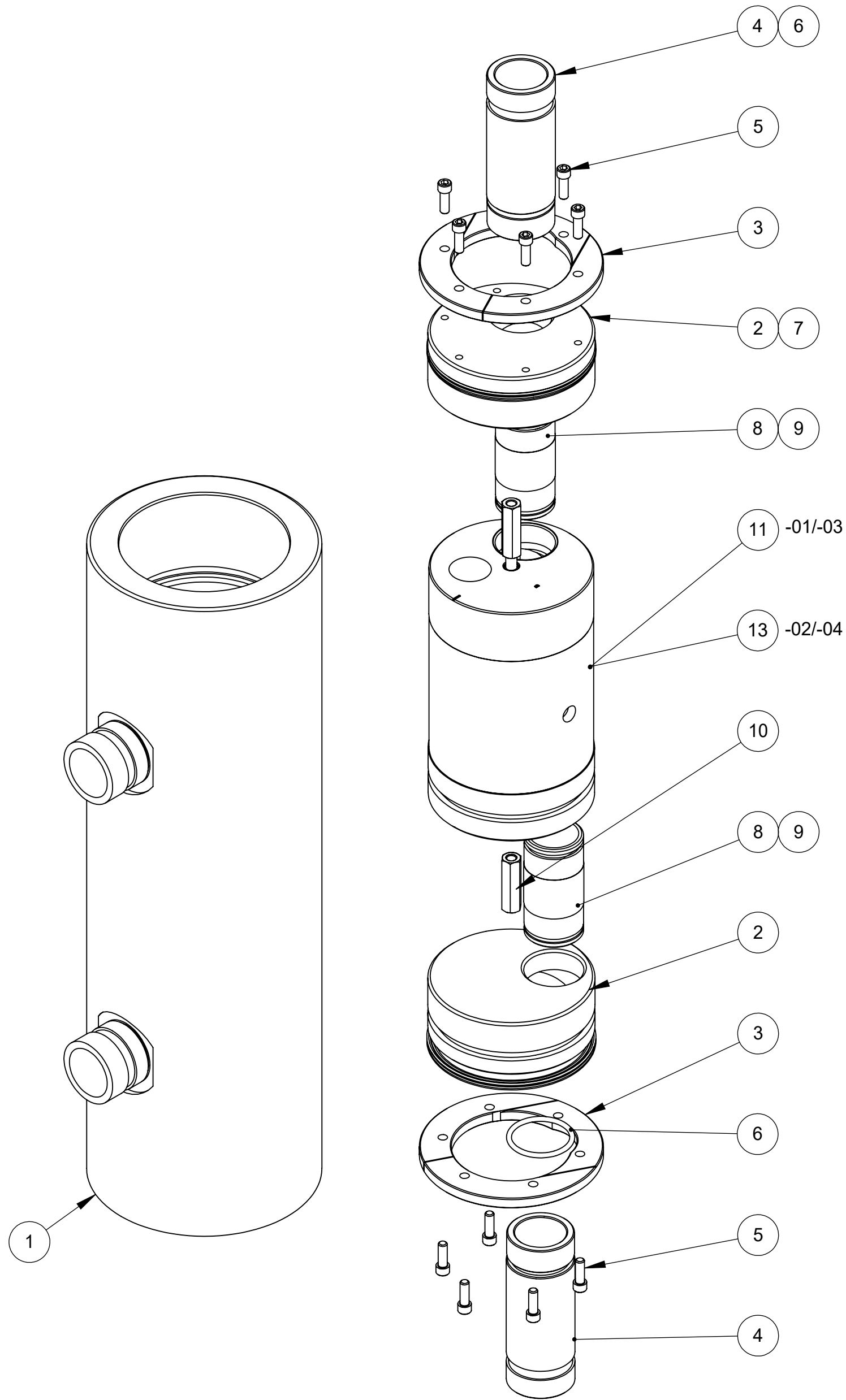


F  
E  
D  
C  
B  
A

F  
E  
D  
C  
B  
A



ITEM NO.	PART NUMBER	40017-01/-03 QTY.	40017-02/-04 QTY.	DESCRIPTION	MATERIALS
1	41068-01	1	1	HOUSING, 4S SERIES, SINGLE, YELLOW, GRP	SHELL: FIBERGLASS PORTS: SUPER DUPLEX
2	41030-01	2	2	COVER, ACCESS, 4" SERIES, DUAL, GRP	FIBERGLASS
3	41039-01	2	2	RING, SECURING, 4" SERIES, GRP	FIBERGLASS
4	41092-01	2	2	PORT, END, 1-1/2", 4 SERIES, IC, AL6XN	AL6XN
5	10012-01	12	12	SCREW, SOCKET-HEAD, 1/4"-20, X .62", 316	316 SS
6	10158-01	2	2	O-RING, EPDM, 223, NSF	EPDM
7	10192-01	2	2	QUAD RING, EPDM, 347	EPDM
8	41070-01	2	2	NIPPLE, LOW PRESSURE, 3.313", 4S SERIES, TI	TITANIUM
9	10152-01	4	4	O-RING, EPDM, 127, NSF	EPDM
10	41071-02	2	2	STANDOFF, TENS, 1.7", 4S SERIES	TITANIUM
11	41084-01	1	-	CARTRIDGE, PX-90S, CERAMIC	CERAMIC
12	41101-01	-	1	CARTRIDGE, PX-90S, RIB, CERAMIC	CERAMIC

REV.	ECN NO.	DESCRIPTION	BY	DATE
02	10241	ADDED MATERIAL COLUMN TO BOM TABLE	AKP	12/2/2024
01	-	ADDED 2 MORE CONFIGURATIONS OF TOP LEVEL	YR	03/17/2022
01	05-061	CHANGED TO IC PORTS	JGM	10/31/2005

**REVISIONS**

PART NUMBER	DESCRIPTION
40017-01	ASSY, PX-90S, CONCENTRATE SIDE UP
40017-02	ASSY, PX-90SR, CONCENTRATE SIDE UP
40017-03	ASSY, PX-90S, FEEDWATER SIDE UP
40017-04	ASSY, PX-90SR, FEEDWATER SIDE UP

**PROPRIETARY**  
 THE INFORMATION CONTAINED IN THIS DRAWING IS THE SOLE PROPERTY OF ENERGY RECOVERY INC. ANY REPRODUCTION IN PART OR AS A WHOLE WITHOUT THE WRITTEN PERMISSION OF ENERGY RECOVERY INC. IS PROHIBITED.

UNLESS OTHERWISE SPECIFIED:

*DIMENSIONS ARE IN INCHES*  
 TOLERANCES:  
 FRACTIONAL: ± 1/32"  
 ANGULAR: MACH ± .5° BEND ± 1°  
 TWO PLACE DECIMAL: ± .01"  
 THREE PLACE DECIMAL: ± .005"  
 FOUR PLACE DECIMAL: ± .0002"

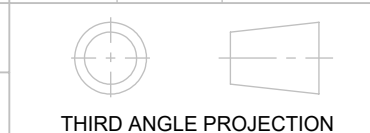
DIMENSIONING AND TOLERANCING PER ANSI Y14.5M (LATEST)

<b>Production</b>		
DRAWING STATUS		
DRAWN	RAC	04/05/2004
CHECKED	TLS	04/28/2004
ENG APPR.	RLS	04/28/2004

1717 Doolittle Drive  
 San Leandro CA 94577  
**energyrecovery.com**  
 P 510.483.7370  
 F 510.483.7371

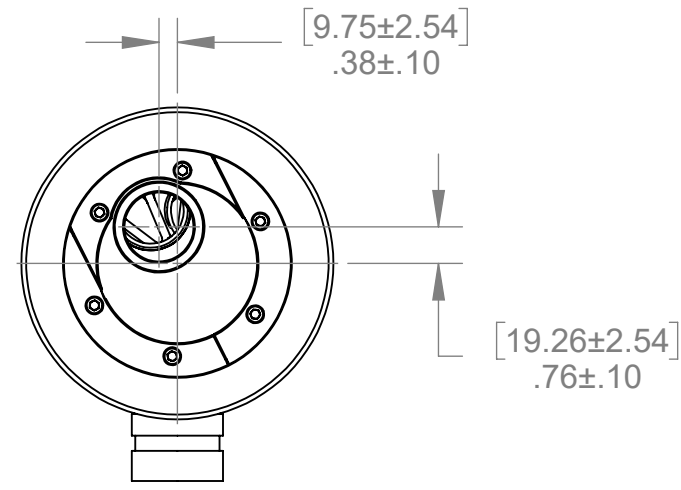


TITLE:  
**PX-90S/90SR, PRESSURE EXCHANGER**

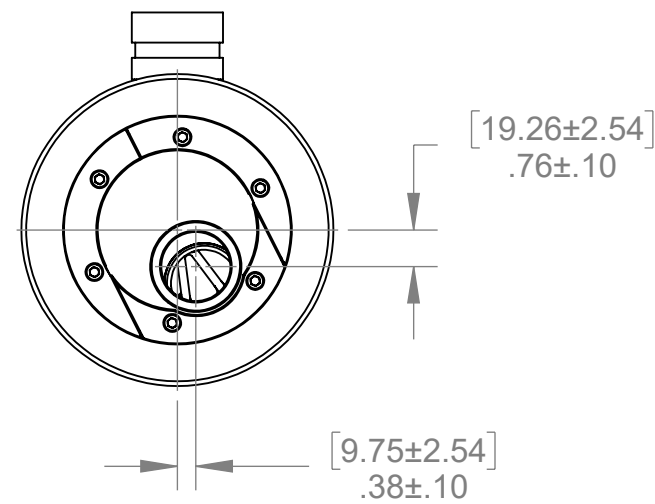
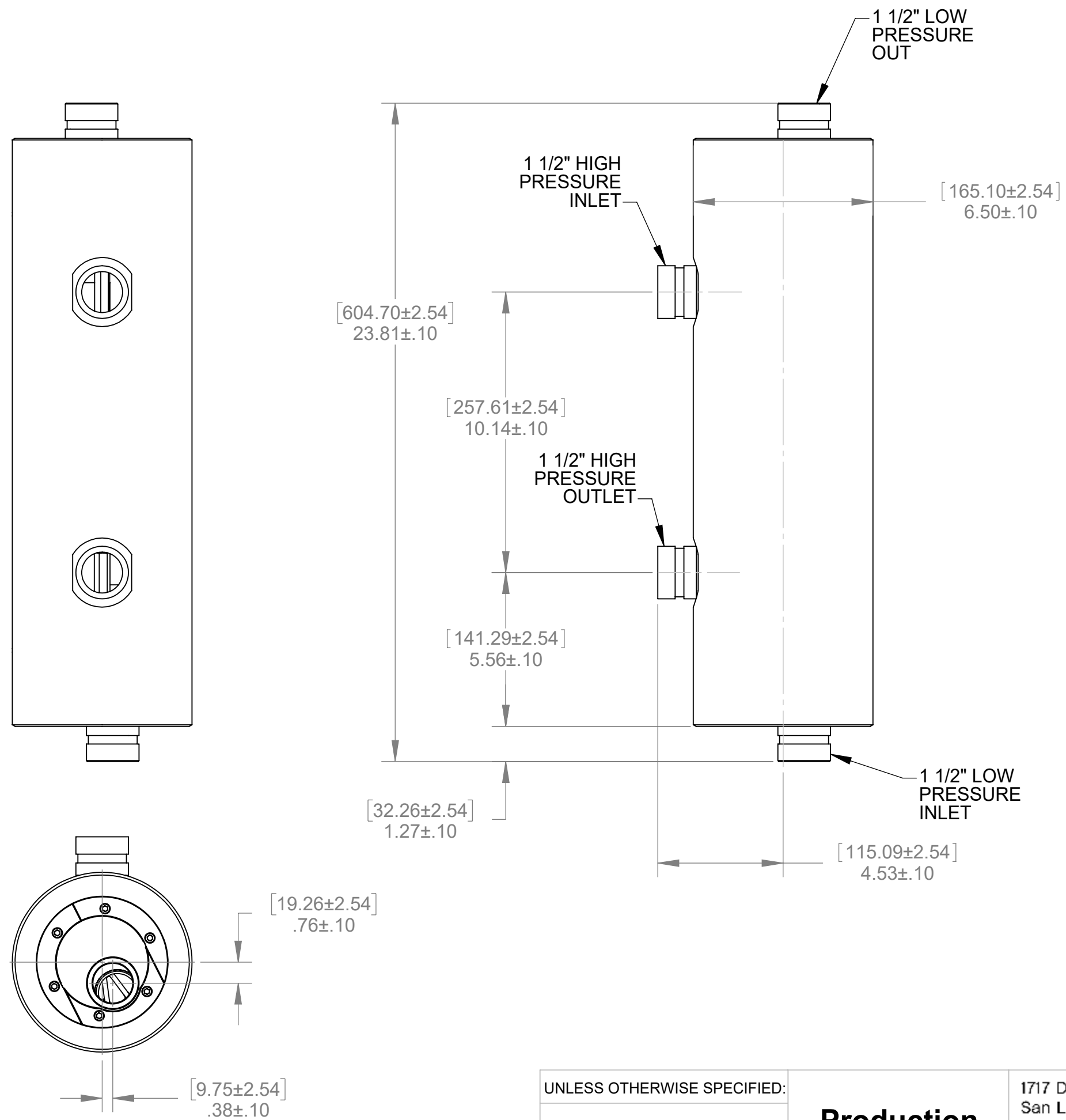


SIZE	DWG. NO.	REV
<b>C</b>	<b>40017</b>	<b>02</b>
WEIGHT:	SCALE: 1:8	SHEET 1 OF 3

- NOTES:  
 1. SHIM AS REQUIRED BETWEEN VESSEL AND MOUNTING SURFACE.  
 2. VESSEL MUST BE INDEPENDENTLY SUPPORTED. REFER TO OPERATIONS AND MAINTENANCE MANUAL.  
 3. VESSEL DRY WEIGHT: 46 LBS. (20.9 KGS).  
 4. ALL VESSEL CONNECTIONS ARE FLEXIBLE TYPE.  
 5. DO NOT USE INLET/OUTLET PORTS FOR LIFTING.  
 6. ENERGY RECOVERY, INC. RESERVES THE RIGHT TO MAKE SPECIFICATION OR DIMENSION CHANGES AT ANY TIME WITHOUT PRIOR NOTICE.



**40017-01 CONCENTRATE SIDE UP**  
**40017-02 CONCENTRATE SIDE UP**  
**DO NOT USE INLET/OUTLET PORTS FOR LIFTING**



[MM]  
[INCH]

**PROPRIETARY**  
 THE INFORMATION CONTAINED IN THIS DRAWING IS THE SOLE PROPERTY OF ENERGY RECOVERY INC. ANY REPRODUCTION IN PART OR AS A WHOLE WITHOUT THE WRITTEN PERMISSION OF ENERGY RECOVERY INC. IS PROHIBITED.

UNLESS OTHERWISE SPECIFIED:  
 DIMENSIONS ARE IN INCHES  
 TOLERANCES:  
 FRACTIONAL: ± 1/32"  
 ANGULAR: MACH ± .5° BEND ± 1°  
 TWO PLACE DECIMAL: ± .01"  
 THREE PLACE DECIMAL: ± .005"  
 FOUR PLACE DECIMAL: ± .0002"

DIMENSIONING AND TOLERANCING PER ANSI Y14.5M (LATEST)

**Production**

DRAWING STATUS		
DRAWN	RAC	04/05/2004
CHECKED	TLS	04/28/2004
ENG APPR.	RLS	04/28/2004

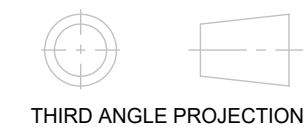
1717 Doolittle Drive  
 San Leandro CA 94577  
[energyrecovery.com](http://energyrecovery.com)  
 P 510.483.7370  
 F 510.483.7371



TITLE:  
**PX-90S/90SR, PRESSURE EXCHANGER  
 CONCENTRATE SIDE UP**

SIZE DWG. NO. **40017** REV **02**

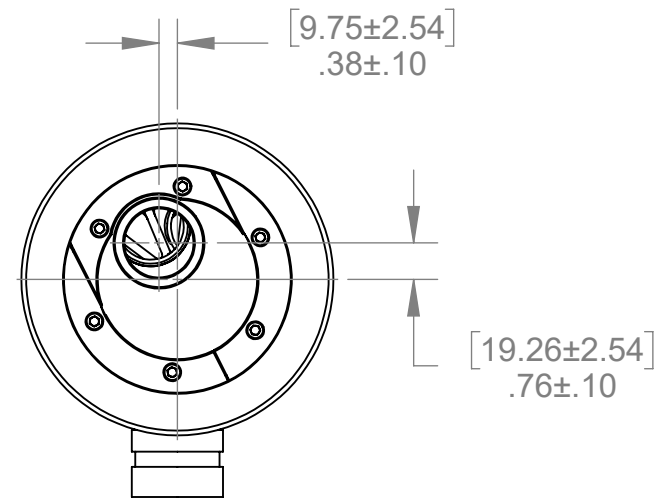
WEIGHT: SCALE: 1:4 SHEET 2 OF 3



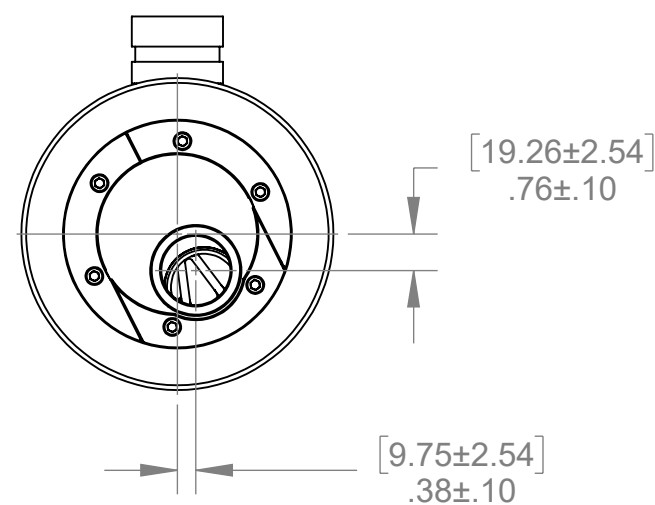
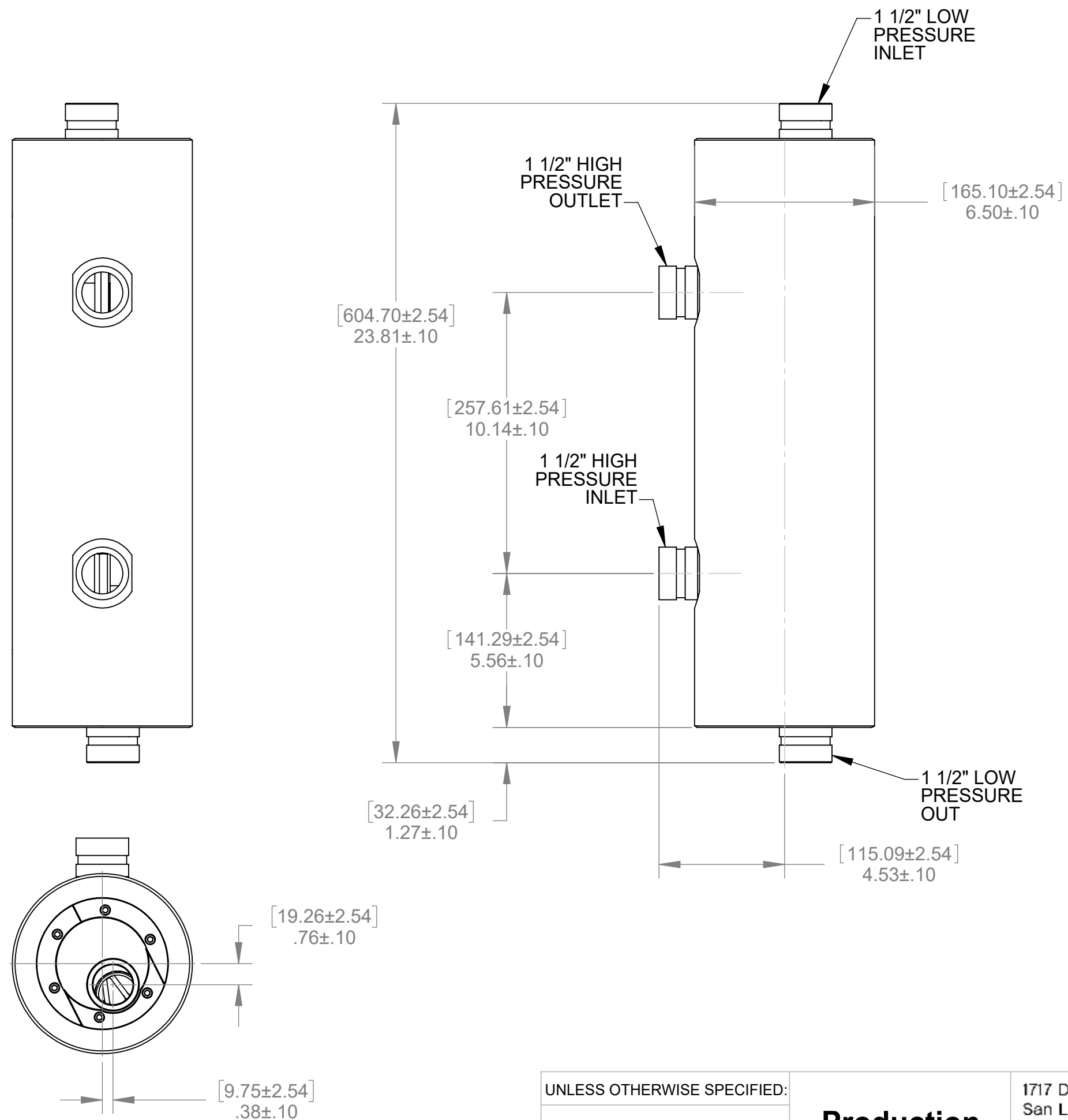
THIRD ANGLE PROJECTION

© ENERGY RECOVERY INC

- NOTES:  
 1. SHIM AS REQUIRED BETWEEN VESSEL AND MOUNTING SURFACE.  
 2. VESSEL MUST BE INDEPENDENTLY SUPPORTED. REFER TO OPERATIONS AND MAINTENANCE MANUAL.  
 3. VESSEL DRY WEIGHT: 46 LBS. (20.9 KGS).  
 4. ALL VESSEL CONNECTIONS ARE FLEXIBLE TYPE.  
 5. DO NOT USE INLET/OUTLET PORTS FOR LIFTING.  
 6. ENERGY RECOVERY, INC. RESERVES THE RIGHT TO MAKE SPECIFICATION OR DIMENSION CHANGES AT ANY TIME WITHOUT PRIOR NOTICE.



**40017-03 FEEDWATER SIDE UP**  
**40017-04 FEEDWATER SIDE UP**  
**DO NOT USE INLET/OUTLET PORTS FOR LIFTING**



[MM]  
[INCH]

**PROPRIETARY**  
 THE INFORMATION CONTAINED IN THIS DRAWING IS THE SOLE PROPERTY OF ENERGY RECOVERY INC. ANY REPRODUCTION IN PART OR AS A WHOLE WITHOUT THE WRITTEN PERMISSION OF ENERGY RECOVERY INC. IS PROHIBITED.

UNLESS OTHERWISE SPECIFIED:  
 DIMENSIONS ARE IN INCHES  
 TOLERANCES:  
 FRACTIONAL: ± 1/32"  
 ANGULAR: MACH ± .5° BEND ± 1°  
 TWO PLACE DECIMAL: ± .01"  
 THREE PLACE DECIMAL: ± .005"  
 FOUR PLACE DECIMAL: ± .0002"

DIMENSIONING AND TOLERANCING PER ANSI Y14.5M (LATEST)

**Production**

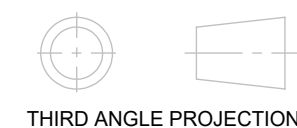
DRAWING STATUS		
DRAWN	RAC	04/05/2004
CHECKED	TLS	04/28/2004
ENG APPR.	RLS	04/28/2004

1717 Doolittle Drive  
 San Leandro CA 94577  
[energyrecovery.com](http://energyrecovery.com)  
 P 510.483.7370  
 F 510.483.7371



TITLE:  
**PX-90S/90SR, PRESSURE EXCHANGER FEEDWATER SIDE UP**

SIZE DWG. NO. **40017** REV **02**



THIRD ANGLE PROJECTION

WEIGHT: SCALE: 1:4 SHEET 3 OF 3