

ITEM NO.	QTY	PART NUMBER	DESCRIPTION	MATERIAL
1	2	10065-02	QUAD RING, EPDM, 442, NSF	EPDM
2	4	10235-01	WASHER, FLAT, SEALING, 5/8" ID, EPDM	EPDM
3	2	10307-01	O-RING, EPDM, 348	EPDM
4	2	43070-01	PLATE, BEARING, PORT, THREADED, 4", PX-Q300	ALUMINUM
5	4	43094-01	INTERCONNECT, 2-1/2", TITANIUM	TITANIUM
6	2	43137-01	PORT, STRAIGHT, LP, 4" SERIES, 2507	2507 SUPER DUPLEX
7	1	43110-01	HOUSING, 8" SERIES, SIDE-PORT, YELLOW	SHELL: FIBERGLASS PORTS: SUPER DUPLEX
8	2	43116-01	PLATE, SEAL, 4" PORT, THREADED	PVC
9	1	43125-01	CARTRIDGE, PX Q300, CERAMIC	CERAMIC
10	2	43129-01	RING, THRUST, PX-Q300	PVC
11	6	43069-01	RING, LOCK, SEGMENT, 8"	CF8M
12	8	10404-01	QUAD RING, EPDM, 231, NSF	EPDM
13	8	10077	SCREW, SOCKET-HEAD, 5/16"-18, X .75", 316	316 SS
14	4	10078-24	SCREW, SOCKET-HEAD, 5/16"-18, X 1.50", 316	316 SS
15	2	10165-01	O-RING, EPDM, 367	EPDM
16	4	10234-01	SCREW, HEX-HEAD, 5/8"-11, X .5", NYLON	NYLON
17	4	43056-01	RING, SECURING, 65 SERIES, GRP	GRP

NOTES:
 1. INSTALL O-RINGS WITH GLYCERIN OR OTHER APPROVED WATER BASED LUBRICANT.
 2. REFER TO OPERATION AND MAINTENANCE MANUAL FOR ASSEMBLY & DISASSEMBLY INSTRUCTIONS AND REQUIREMENTS.

REV.	ECN NO.	DESCRIPTION	BY	DATE
03	-	SEPARATED "MADE IN USA" FROM LOGO LABEL	YR	1/20/26
03	10239	UPDATED GRAPHIC FOR ORIENTATION AGNOSTIC DESIGN, -02 REMOVED	AKP	12/10/24
02	0734	REFER TO ECN 0734 FOR RESTRUCTURING	YR	8/16/21
01	0660	REPLACED LOCK RING WITH CORRECT PN	AKP	7/17/18
01	0660	REPLACE 10162-01 WITH 10404-01	AKP	4/11/17
00	-	INITIAL RELEASE	TDR	9/18/13

UNLESS OTHERWISE SPECIFIED:
 DIMENSIONS ARE IN INCHES
 TOLERANCES:
 FRACTIONAL: ± 1/32"
 ANGULAR: MACH ± .5° BEND ± 1°
 TWO PLACE DECIMAL: ± .01"
 THREE PLACE DECIMAL: ± .005"
 FOUR PLACE DECIMAL: ± .0002"

PROPRIETARY
 THE INFORMATION CONTAINED IN THIS DRAWING IS THE SOLE PROPERTY OF ENERGY RECOVERY INC. ANY REPRODUCTION IN PART OR AS A WHOLE WITHOUT THE WRITTEN PERMISSION OF ENERGY RECOVERY INC. IS PROHIBITED.

Production
 DRAWING STATUS:
 DRAWN: TDR 09/18/2013
 CHECKED: BB 09/18/2013
 ENG APPR: BB 09/18/2013

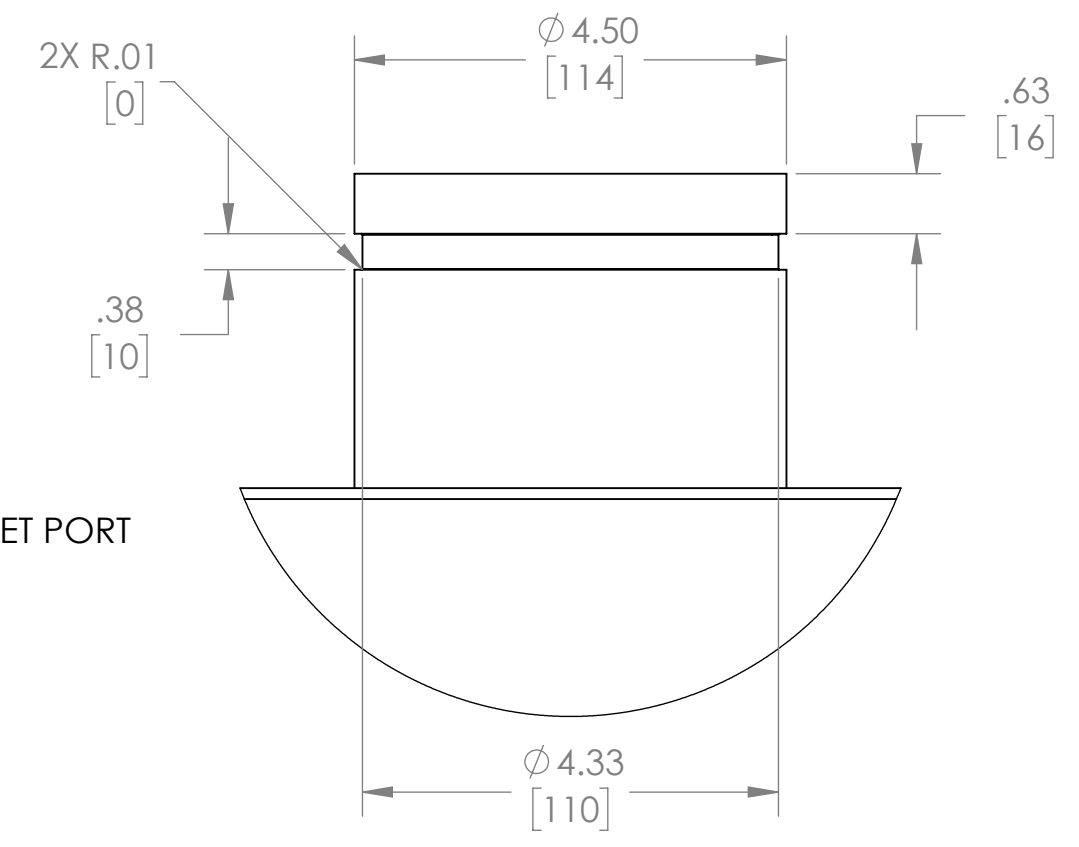
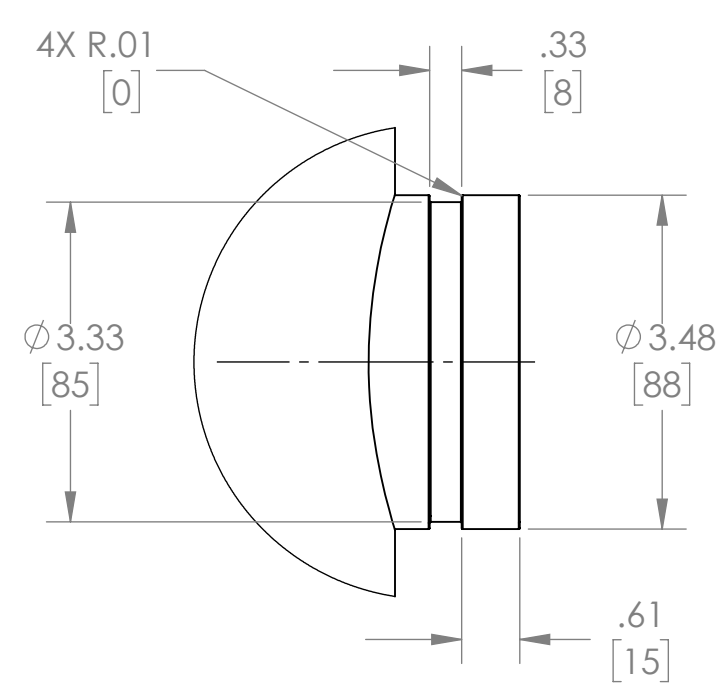
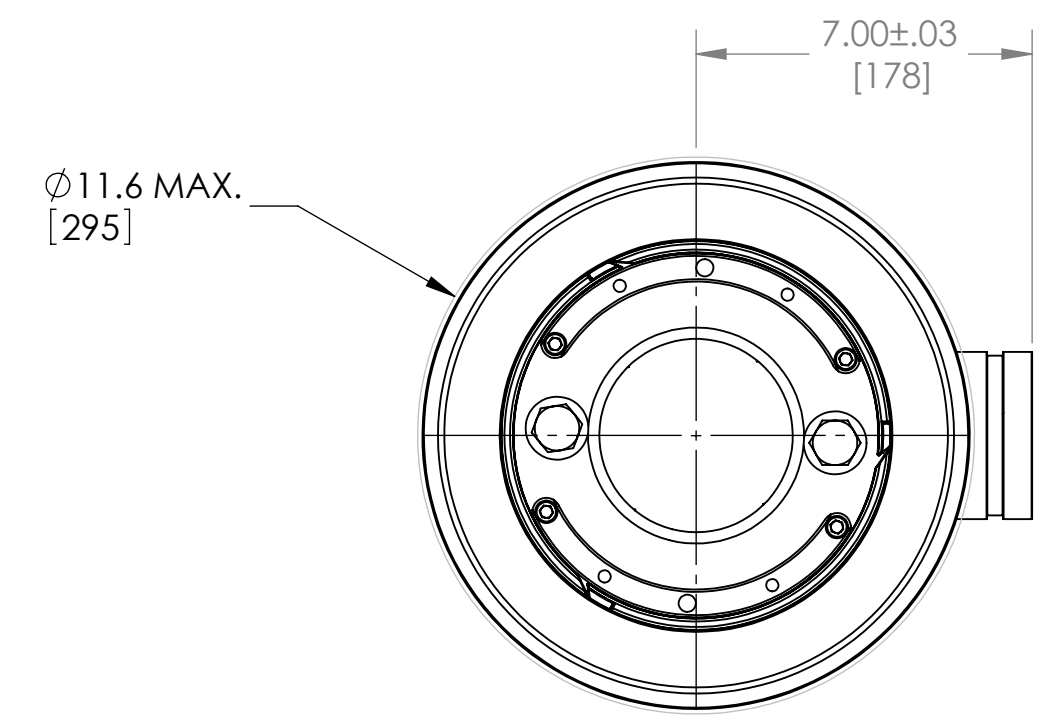
1717 Doolittle Drive
 San Leandro CA 94577
 energyrecovery.com
 P 510.483.7370
 F 510.483.7371

energy recovery

TITLE:
PX Q300, PRESSURE EXCHANGER

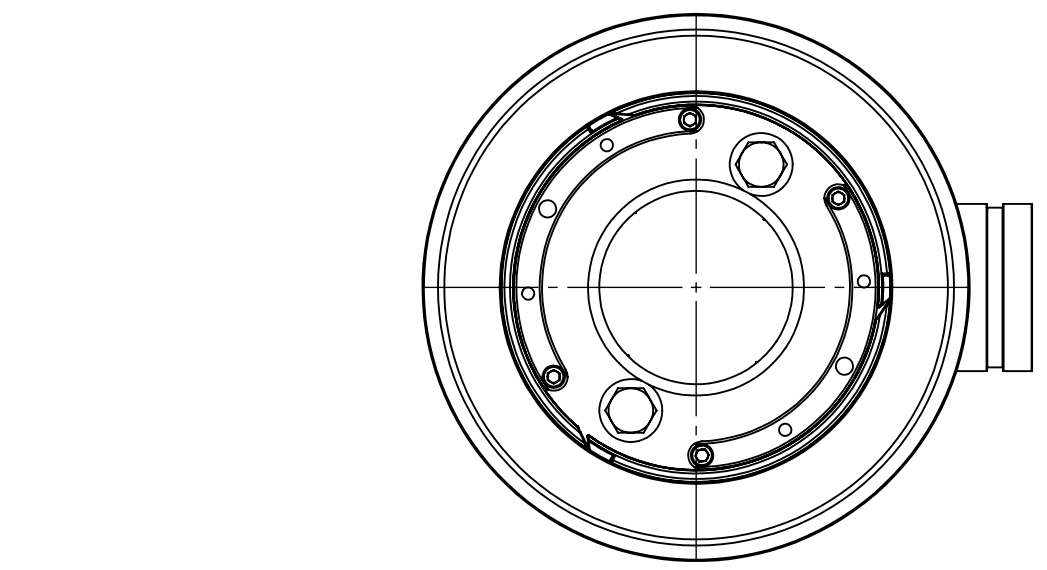
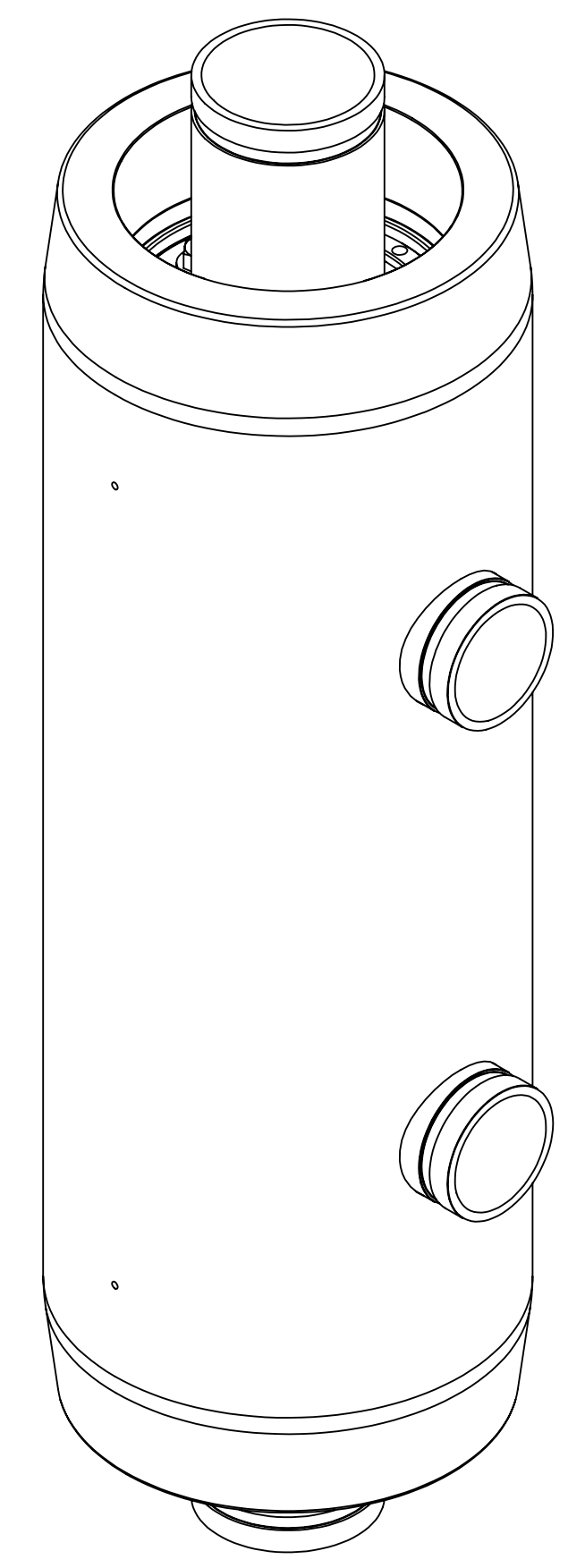
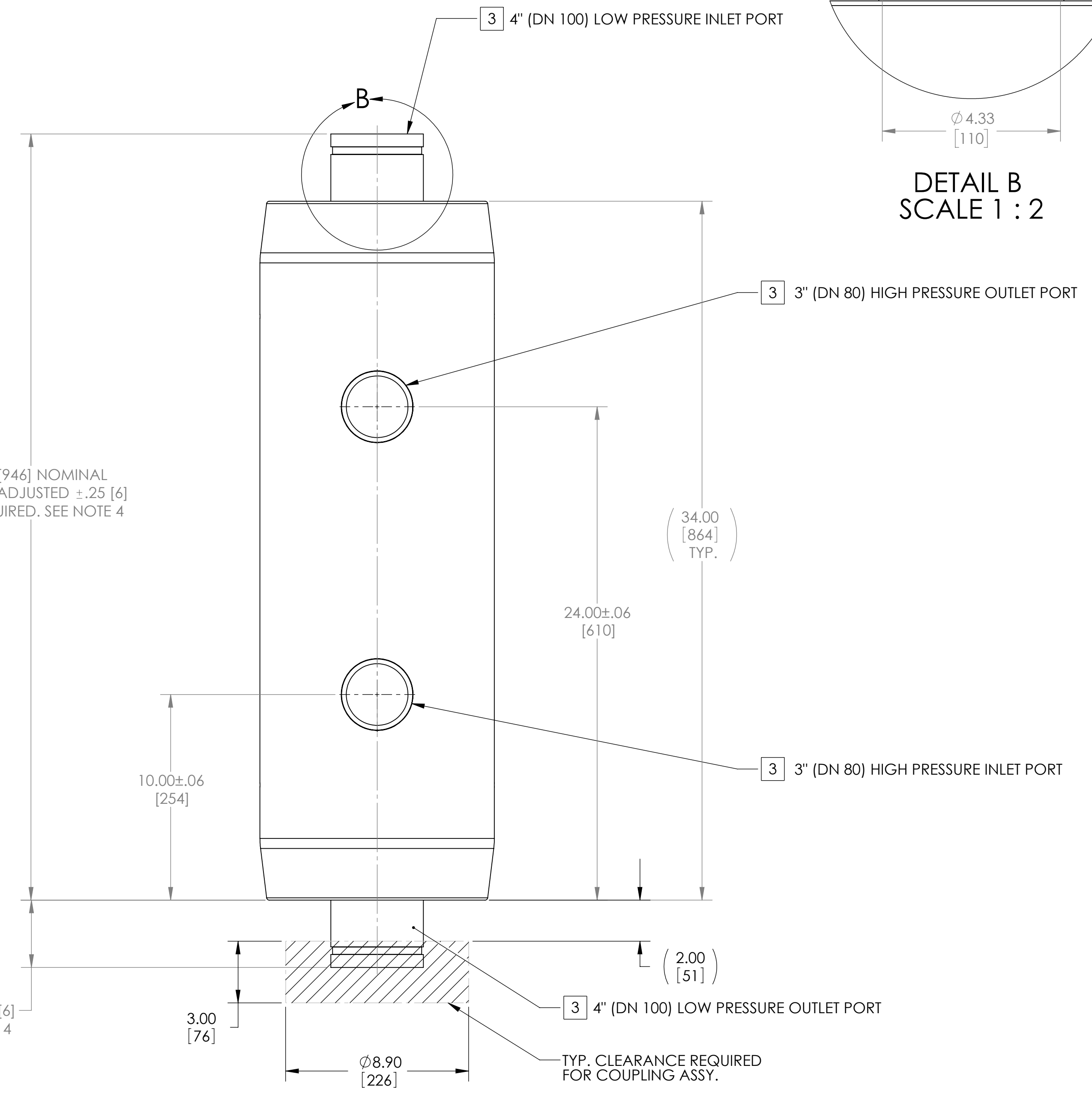
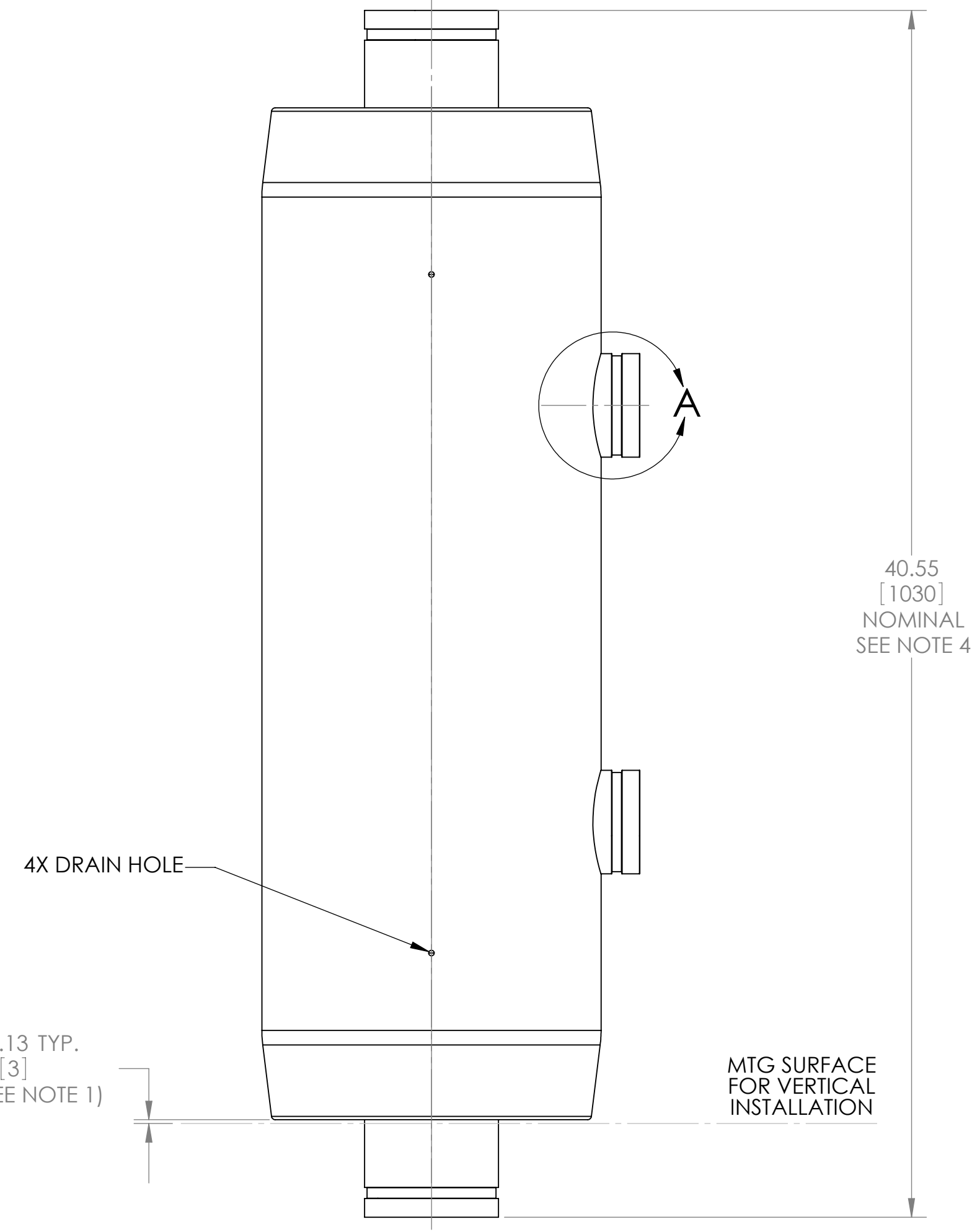
SIZE DWG. NO. **D 40037-01** REV **03**
 WEIGHT: SCALE: 1:5 SHEET 1 OF 3

THIRD ANGLE PROJECTION



DETAIL A
SCALE 1 : 2

DETAIL B
SCALE 1 : 2



DO NOT USE INLET/OUTLET PORTS FOR LIFTING OR SUPPORT

- NOTES:
1. SHIM BETWEEN HOUSING AND MTG SURFACE AS REQUIRED.
 2. HOUSING MUST BE INDEPENDENTLY SUPPORTED, REFERENCE OPERATION AND MAINTENANCE MANUAL.
 3. PORT ORIENTATION SHOWN AS REFERENCE.
 4. ALL PORTS FLEXIBLE TYPE. USE FLEXIBLE COUPLINGS. FLEXIBLE COUPLING MUST BE RATED FOR HIGH PRESSURE SEAWATER SERVICE AND INSTALLED PER MANUFACTURER RECOMMENDATIONS.
 5. BOTH LP PORTS ARE ADJUSTABLE WITHIN INDICATED TOLERANCE. USE STRAP WRENCH TO THREAD PORT INTO OR OUT OF HOUSING AS NECESSARY.
 6. DUAL DIMENSIONS IN BRACKETS ARE FOR REFERENCE ONLY.

[mm]
INCH

1717 Doolittle Drive
San Leandro CA 94577
energyrecovery.com
P 510.483.7370
F 510.483.7371

TITLE: PX Q300, PRESSURE EXCHANGER

SIZE	DWG. NO.	REV
D	40037-01	03
WEIGHT:	SCALE: 1:4	SHEET 2 OF 3

